



INSTRUMENTS

**65-2320RK-TFX-4
Oxygen Transmitter
Operator's Manual**

Part Number: 71-0669

Revision: P1

Released: 4/2/24

WARNING

Read and understand this instruction manual before operating instrument. Improper use of the gas monitor could result in bodily harm or death.

Periodic calibration and maintenance of the gas monitor is essential for proper operation and correct readings. Please calibrate and maintain this instrument regularly! Frequency of calibration depends upon the type of use you have and the sensor types. For most applications, typical calibration frequencies are between 3 and 6 months but can be more often or less often based on your usage.

Product Warranty

RKI Instruments, Inc. warrants gas alarm equipment sold by us to be free from defects in materials, workmanship, and performance for a period of one year from the date of shipment from RKI Instruments, Inc. Any parts found defective within that period will be repaired or replaced, at our option, free of charge. Parts must be returned to RKI Instruments, Inc. for repair or replacement. This warranty does not apply to those items which by their nature are subject to deterioration or consumption in normal service, and which must be cleaned, repaired or replaced on a routine basis. Examples of such items are:

- Absorbent cartridges
- Fuses
- Pump diaphragms and valves
- Batteries
- Filter elements

Warranty is voided by abuse including mechanical damage, alteration, rough handling, or repair procedures not in accordance with instruction manual. This warranty indicates the full extend of our liability, and we are not responsible for removal or replacement costs, local repair costs, transportation costs, or contingent expenses incurred without our prior approval.

THIS WARRANTY IS EXPRESSLY IN LIEU OF ANY AND ALL OTHER WARRANTIES AND REPRESENTATIONS, EXPRESSED OR IMPLIED, AND ALL OTHER OBLIGATIONS OR LIABILITIES ON THE PART OF RKI INSTRUMENTS, INC. INCLUDING BUT NOT LIMITED TO, THE WARRANTY OF MERCHANTABILITY OR FITNESS FOR A PARTICULAR PURPOSE. IN NO EVENT SHALL RKI INSTRUMENTS, INC. BE LIABLE FOR INDIRECT, INCIDENTAL, OR CONSEQUENTIAL LOSS OR DAMAGE OF ANY KIND CONNECTED WITH THE USE OF ITS PRODUCTS OR FAILURE OF ITS PRODUCTS TO FUNCTION OR OPERATE PROPERLY.

This warranty covers instruments and parts sold to users only by authorized distributors, dealers and representatives as appointed by RKI Instruments, Inc.

We do not assume indemnification for any accident or damage caused by the operation of this gas monitor and our warranty is limited to the replacement of parts or our complete goods. Warranty covers parts and labor performed at RKI Instruments, Inc. only, and does not cover field labor or shipment of parts back to RKI.

Table of Contents

Overview	5
Specifications	5
Description	6
Oxygen Detector	6
Calibration Adapter/Splash Guard	7
Amplifier	7
Amplifier Junction Box	8
Detector Junction Box	8
Installation	9
Mounting the Oxygen Transmitter	9
Wiring the Detector to the Amplifier	11
Wiring the Amplifier to a Controller	13
Startup	14
Introducing Incoming Power	14
Setting the Fresh Air Signal	15
Maintenance	16
Preventive Maintenance	16
Troubleshooting	16
Replacing Components of the Oxygen Transmitter	17
Calibration Frequency	19
Determining Response Time	19
Calibration	20
Preparing for Calibration	20
Setting the Fresh Air Reading	21
Setting the Zero Reading	21
Returning to Normal Operation	22
Parts List	23

Overview

This manual describes the 65-2320RK-TFX-4 oxygen (O₂) transmitter. This manual also describes how to install, start up, maintain, and calibrate the transmitter. A parts list at the end of this manual lists replacement parts and accessories for the oxygen transmitter.

Specifications

WARNING: *Do not use this product in a manner not specified in this instruction manual.*

Table 1 lists specifications for the oxygen transmitter.

Table 1: Specifications

Target Gas	Oxygen (O ₂)
Detection Range	0 to 25% volume
Input Voltage	11 VDC - 30 VDC
Sampling Method	Diffusion
Signal Output	4 to 20 mA
Response Time	90% in 30 seconds
Accuracy	± 0.5% O ₂

WARNING: *When using the 65-2320RK-TFX-4, you must follow the instructions and warnings in this manual to assure proper and safe operation of the 65-2320RK-TFX-4 and to minimize the risk of personal injury. Be sure to maintain and periodically calibrate the 65-2320RK-TFX-4 as described in this manual.*

Description

This section describes the components of the oxygen transmitter. The transmitter is a 4 - 20 mA type detector head. It consists of the oxygen detector, calibration adapter/splash guard, amplifier, the amplifier junction box, and the detector junction box. The two-junction-box configuration is intended for situations where the detector needs to be installed at an inaccessible location. The detector junction box can be installed at the inaccessible location and the amplifier junction box can be installed in a more readily accessible area.

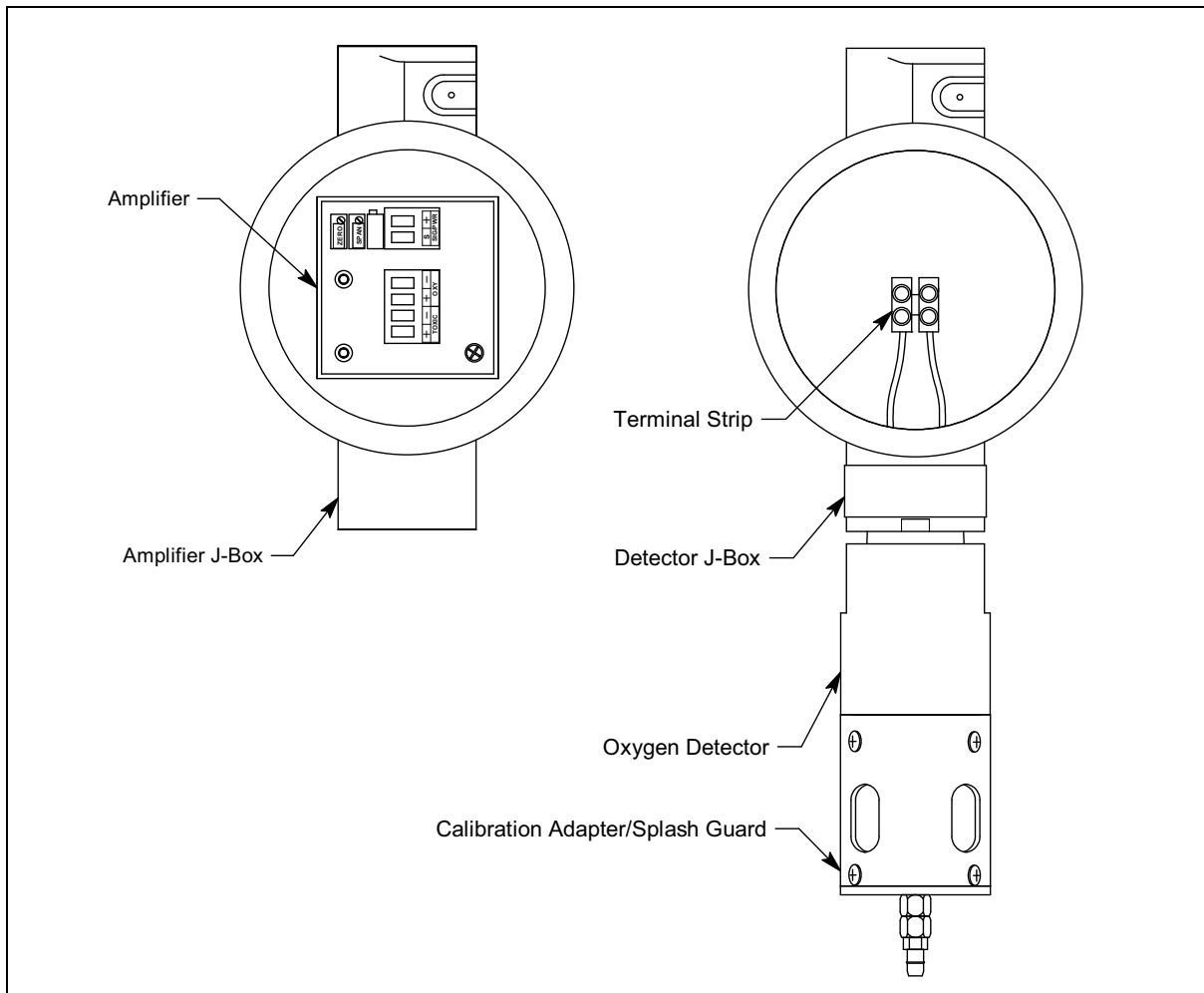


Figure 1: Component Location

Oxygen Detector

The sensing components of the detector are encapsulated within a conduit mounting black anodized aluminum housing. Through a series of chemical and electronic reactions, the detector produces a millivolt output that is proportional to the detection range. 3/4 NPT mounting threads at the top of the detector allow you to mount the detector to the junction box or a 3/4 NPT conduit fitting. Two color-coded leads extend from the top of the detector. The leads allow you to connect the detector to a controller.

Calibration Adapter/Splash Guard

A calibration adapter/splash guard is installed on the oxygen detector. A fitting at the bottom of the calibration adapter/splash guard allows a length of tubing to be connected for calibration and routed to a more easily accessible location (near the amplifier junction box is optimal for ease of calibration). The calibration adapter/splash guard also protects the detector from splashing water or direct water spray.

Amplifier

The amplifier converts the electrical output from the sensor to a 4 to 20 mA signal that corresponds to the detection range and transmits the signal to a gas monitoring controller. A foam gasket that orients the amplifier and keeps it from rotating is installed on the bottom of the amplifier. The amplifier includes the controller terminal strip, detector terminal strip, zero pot, span pot, and test points (Figure 2).

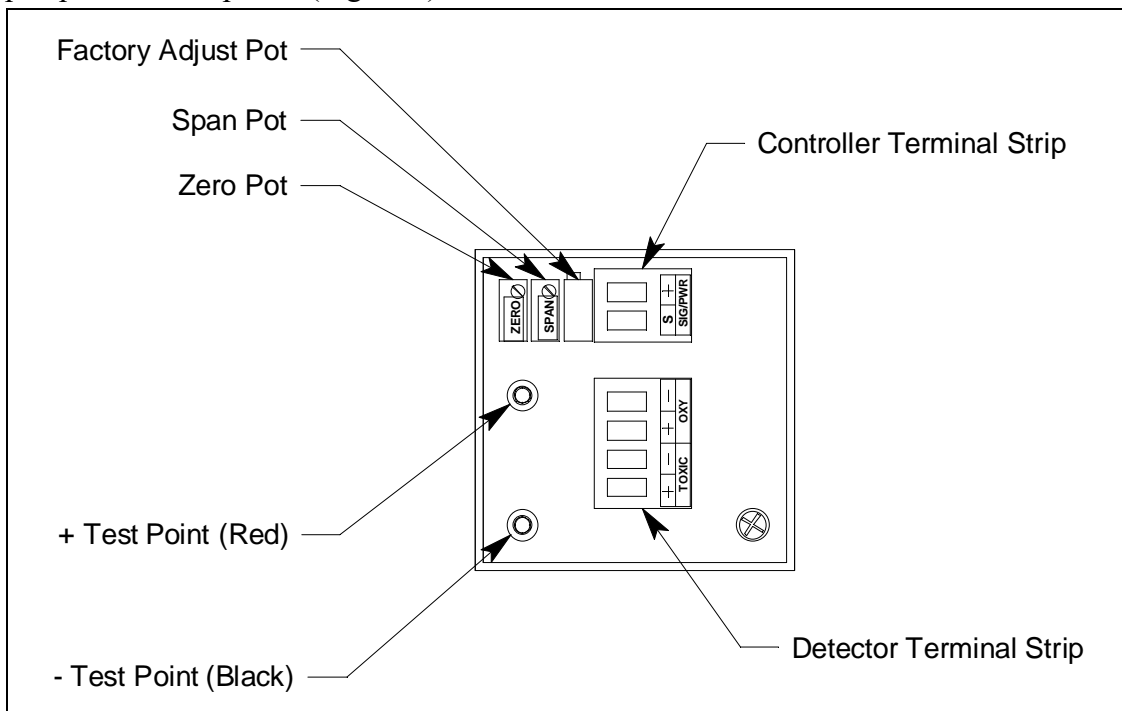


Figure 2: Amplifier Component Location

Controller Terminal Strip

The controller terminal strip is a two position plug-in style terminal strip located at the top edge of the amplifier. Use the controller terminal strip to connect the amplifier to a controller.

Detector Terminal Strip

The detector terminal strip is a four-point plug-in style terminal strip near the bottom of the amplifier. Use the detector terminal strip to connect the oxygen detector to the amplifier.

Zero Pot

The zero pot is located in the upper left corner of the amplifier (see Figure 2). Use a small flat blade screwdriver to turn the zero pot's adjustment screw and adjust the amplifier's zero (oxygen free) output during the calibration procedure. Turn the adjustment screw clockwise to increase the zero output and counterclockwise to decrease the zero output.

Span Pot

The span pot is located to the right of the zero pot (see Figure 2). Use a small flat blade screwdriver to turn the span pot's adjustment screw and adjust the amplifier's fresh air output during the start up and calibration procedures. Turn the adjustment screw clockwise to increase the output and counterclockwise to decrease the output.

CAUTION: *The third potentiometer is factory-set. Do not adjust it.*

Test Points

The test points (red and black) are on the left side of the amplifier (see Figure 2). The test points produce a 100mV to 500 mV output that corresponds to the transmitter's 4 to 20 mA output. Use the test points and a voltmeter to measure the transmitter's output during the start-up and calibration procedures. The black test point in the lower left corner is the negative (-) test point and the red test point below the zero pot is the positive (+) test point.

Amplifier Junction Box

The amplifier junction box protects the amplifier and wiring connections made to the amplifier. Use the top 3/4 NPT conduit hub to connect wiring from the amplifier to the controller. Use the bottom 3/4 NPT conduit hub to wire the remotely installed oxygen detector. Use the cover on the front of the junction box to access the interior of the junction box. The amplifier is factory installed in the junction box. Three spacers installed on the back of the junction box control the distance of the junction box from a mounting surface.

Detector Junction Box

The junction box allows you to install the oxygen detector at a mounting site that is remote from a controller, and it protects the detector wiring connections. Two conduit hubs allow you to mount the oxygen detector to the junction box and connect the wiring from the detector to a controller. Three spacers installed on the back of the junction box control the distance of the junction box from a mounting surface and ensure that there is enough room to install a calibration cup on the detector during calibration.

A terminal block within the junction box facilitates the wiring process. A cover on the front of the junction box allows access to the interior of the junction box.

Installation

This section describes procedures to mount the oxygen transmitter in the monitoring environment and wire the transmitter to a controller.

Mounting the Oxygen Transmitter

1. Select a mounting site that is representative of the monitoring environment. Consider the following when you select the mounting site.
 - For the amplifier junction box, select a site where the junction box is not likely to be bumped or disturbed. Make sure there is sufficient room to perform start-up, maintenance, and calibration procedures. The site should be easily accessible.
 - For the detector junction box, select a site that is at breathing level.
 - The junction boxes should be mounted no further than 200 feet from each other.
2. Amplifier junction box dimensions are shown in Figure 3. Detector junction box dimensions are shown in Figure 4.

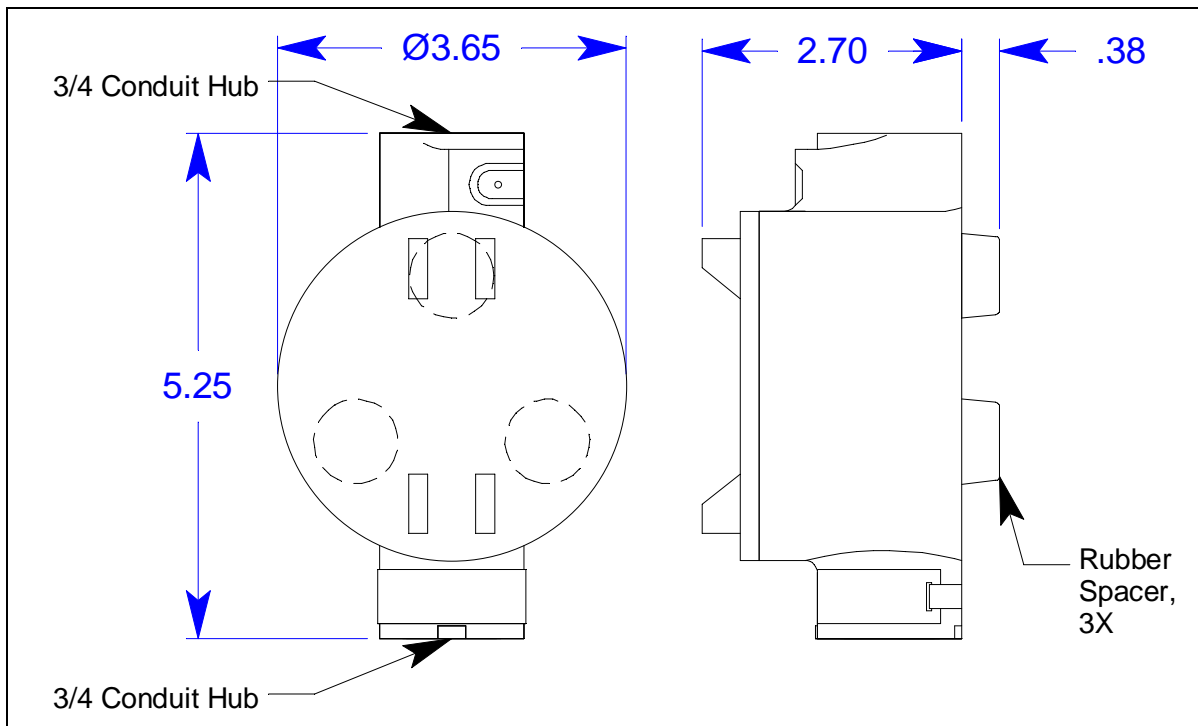


Figure 3: Amplifier Junction Box Dimensions

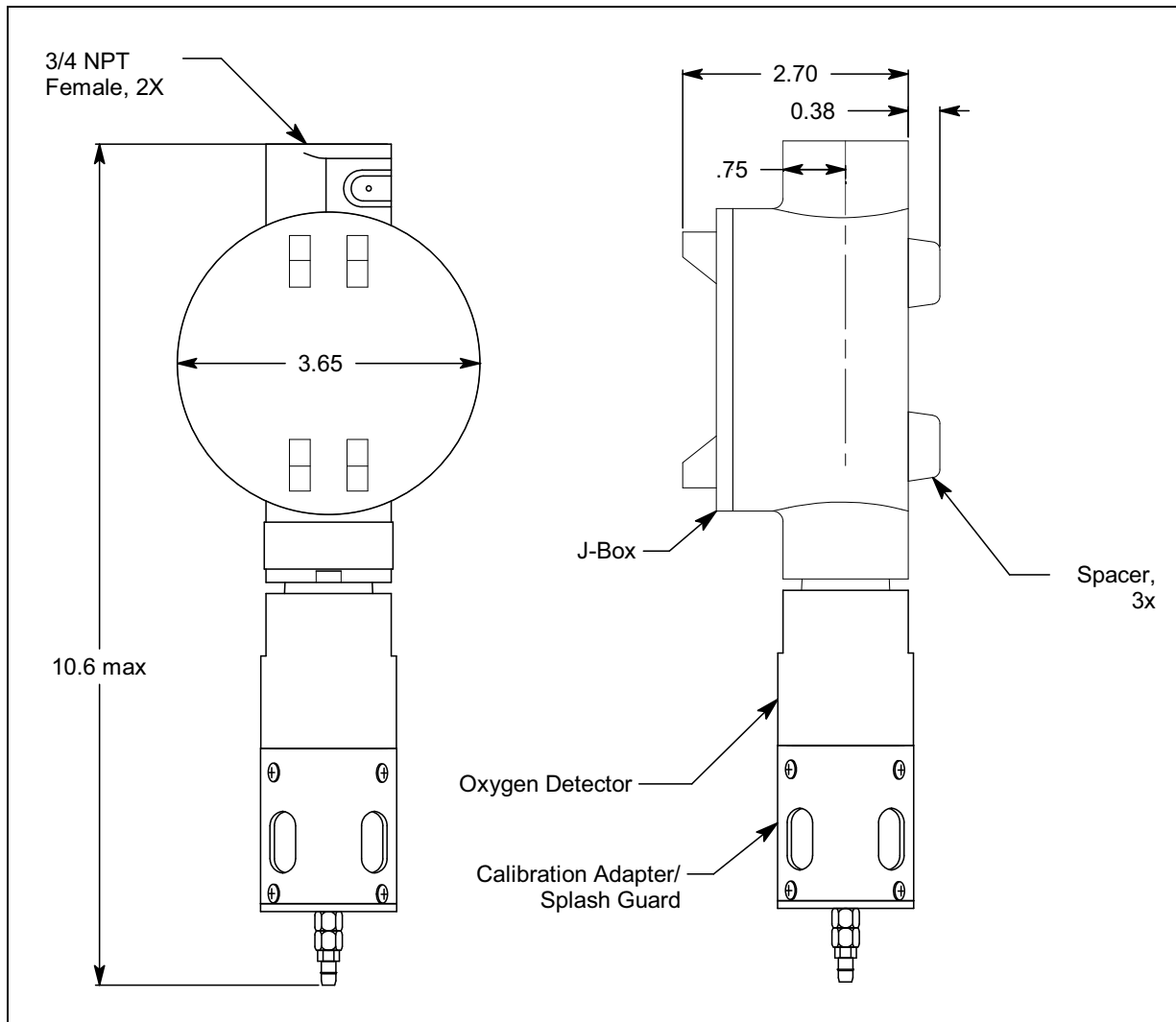


Figure 4: Detector Junction Box Dimensions

3. At the monitoring site you select, hang or mount the detector junction box with the detector facing down (see Figure 4).
4. Install 3/16 inch I.D. flexible polyurethane tubing to the fitting at the bottom of the calibration adapter/splash guard and route it to an accessible area that is close to the amplifier junction box. See the "Parts List" on page 23 for available tubing.

Wiring the Detector to the Amplifier

WARNING: *Always verify that power to the controller is OFF before you make wiring connections.*

1. Confirm that no power is being applied to the amplifier. If the amplifier has already been connected to a controller, turn off the controller and turn off or unplug power to the controller.
2. Remove the detector junction box's cover from the junction box.
3. Remove the amplifier junction box's cover from the junction box.
4. Guide a two-conductor, shielded cable or two wires in conduit through the top conduit hub of the detector junction box. To make wiring more convenient, use wire colors that correspond to the detector wire colors: white and green.

NOTE: Consult RKI Instruments, Inc. for cable lengths longer than 200 feet.

5. Connect the wires to the terminal block in the detector junction box.

CAUTION: *If shielded cable is used, leave the cable shield's drain wire disconnected and insulated at the detector junction box. You will connect the opposite end of the cable's drain wire to the amplifier junction box's chassis (earth) ground.*

6. Secure the detector junction box's cover to the junction box.
7. Guide the other end of the two-conductor, shielded cable or two wires in conduit through the bottom conduit hub of the amplifier junction box.
8. To gain access to a plug-in terminal strip for wiring, pull it out of its socket by grasping the terminal strip and pulling. The detector strip is keyed so that the controller and detector terminal strips cannot be reversed inadvertently.

9. Pull out the detector terminal strip and connect the two wires to the terminal strip as follows (see Figure 5).
- Connect the wire corresponding to the detector's white wire to the **OXY "+"** terminal.
 - Connect the wire corresponding to the detector's green wire to the **OXY "-"** terminal.

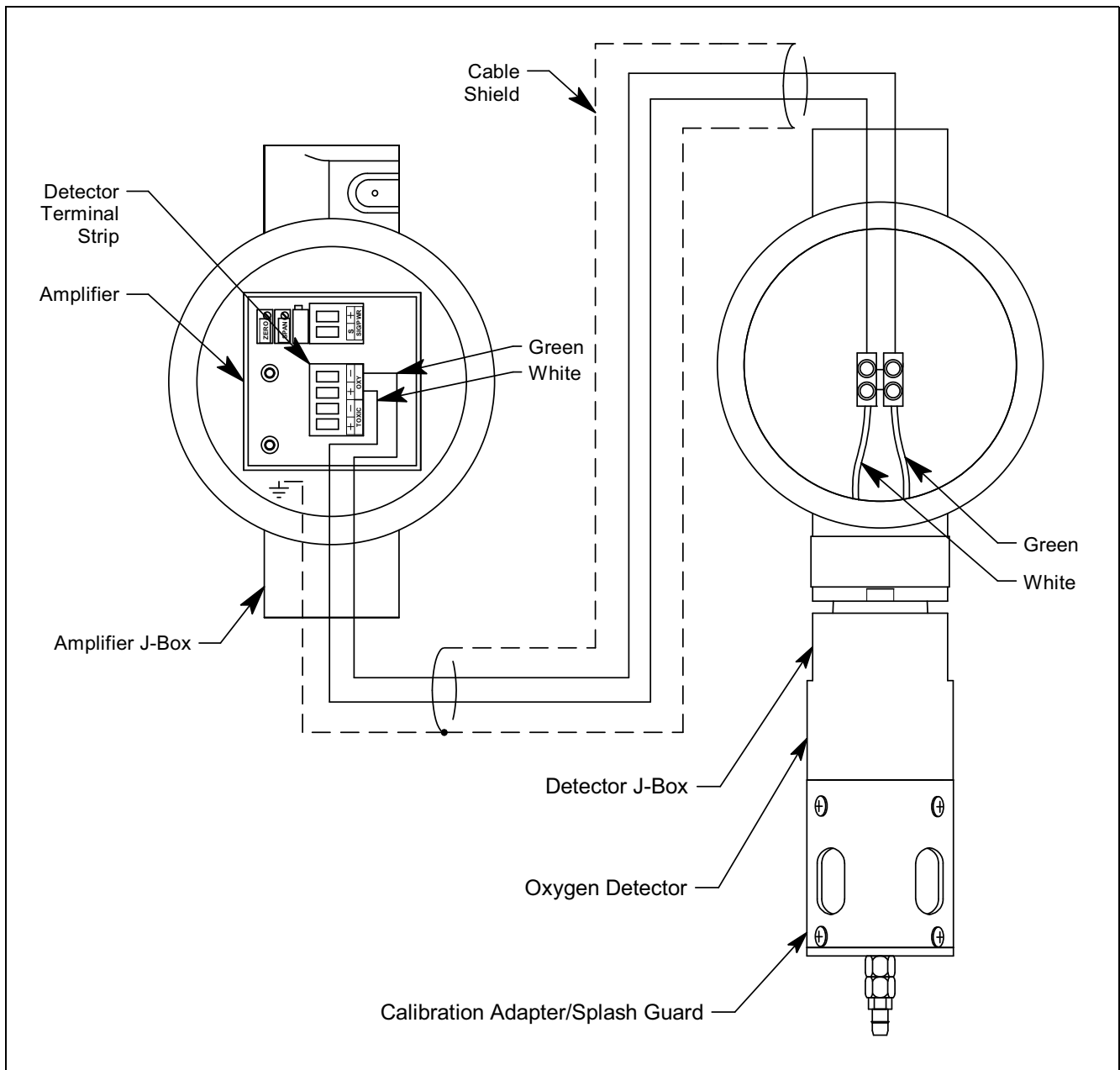


Figure 5: Wiring Detector to Amplifier

10. Reinstall the detector terminal strip into its socket.
11. Secure the amplifier junction box's cover to the junction box.

12. If shielded cable is used, connect the cable's drain wire to an available chassis (earth) ground at the amplifier junction box. The amplifier mounting screw is a convenient grounding location. Install a lug on the shield drain wire or wrap the shield drain wire around the mounting screw. Do not connect the shield drain wire at the detector junction box.

Wiring the Amplifier to a Controller

1. Turn off the controller.
2. Turn off or unplug power to the controller.
3. Remove the amplifier junction box's cover from the junction box.
4. Guide a two-conductor, shielded cable, or two wires in conduit through the top conduit hub of the amplifier junction box.
5. Pull out the controller terminal strip and connect the two wires to the terminal strip as follows (see Figure 6).
 - Connect the positive wire to the terminal labeled **SIG/PWR “+”** terminal.
 - Connect the signal wire to the terminal labeled **SIG/PWR “S”** terminal.

CAUTION: *If shielded cable is used, leave the cable shield's drain wire disconnected and insulated at the amplifier junction box. You will connect the opposite end of the cable's drain wire to the controller's chassis (earth) ground.*

6. Reinstall the controller terminal strip into its socket.
7. Secure the amplifier junction box's cover to the junction box.
8. Route the cable or wires leading from the amplifier junction box through one of the conduit hubs at the controller housing.

CAUTION: *Do not route power and transmitter wiring through the same controller conduit hub. The power cable may disrupt the transmission of the transmitter signal to the controller.*

9. Connect the wires to the applicable detector/transmitter terminal strip at the controller as shown in Figure 6.

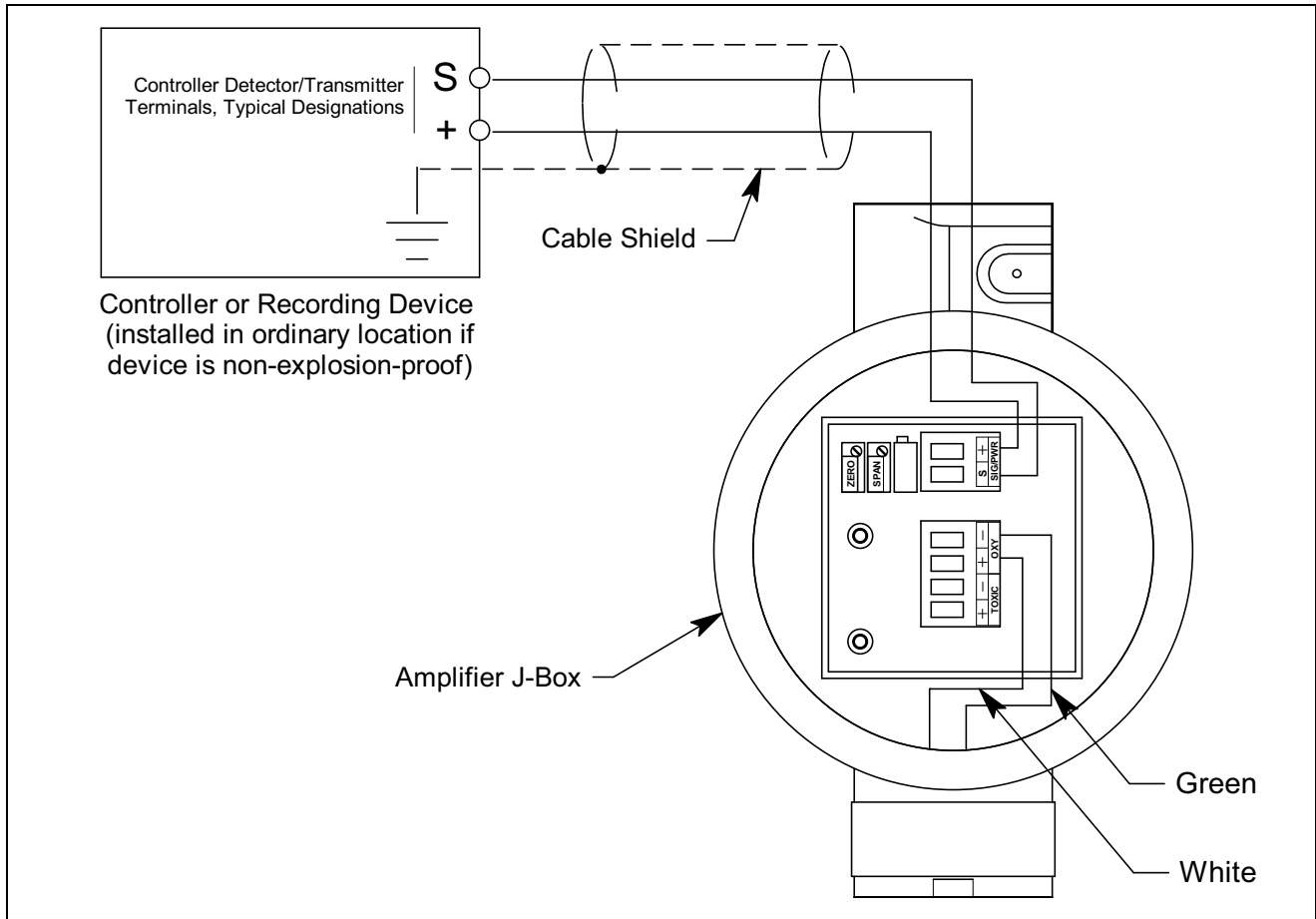


Figure 6: Wiring the Amplifier to a Controller

10. If shielded cable is used, connect the cable's drain wire to an available chassis (earth) ground at the controller. RKI controllers typically have a ground stud that can be used to ground the cable's drain wire.

Start Up

This section describes procedures to start up the oxygen transmitter and place the transmitter into normal operation.

Introducing Incoming Power

1. Complete the installation procedures described earlier in this manual.
2. Verify that the power wiring to the controller is correct and secure. Refer to the controller operator's manual.
3. Turn on power to the controller.
4. Turn on the controller.

5. Verify that the controller is on and operating properly. Refer to the controller operator's manual.

NOTE: When first powered up, the transmitter will enter about a one minute period when the 4-20 mA output is stabilizing and may be well above or below the fresh air reading momentarily. RKI controllers have a one minute warmup period when the controller does not display any gas reading or give any alarm indication. The oxygen transmitter's 4-20 mA signal should be stable by the time the controller's warmup period is over.

CAUTION: *Allow the transmitter to warm up for 5 minutes before you continue with the next section, "Setting the Fresh Air Signal".*

Setting the Fresh Air Signal

NOTE: If you can verify that the detector is in a fresh air environment (environment known to be of normal oxygen content and free of toxic and combustible gases), it is not necessary to apply zero air when verifying or setting the fresh air reading.

The procedure below describes applying zero emission air, usually called zero air, using a calibration kit that includes calibration gas and a fixed flow regulator with an on/off knob. RKI Instruments, Inc. recommends using a 0.5 LPM (liters per minute) fixed flow regulator.

1. Unscrew and remove the amplifier junction box's cover from the junction box.
2. Set a voltmeter to measure in the millivolt (mV) range.
3. Plug the voltmeter leads into the test points on the amplifier. Plug the positive lead into the red (+) test point; plug the negative lead into the black (-) test point.
4. Screw the regulator into the zero air calibration cylinder.
5. Use the flexible tubing coming from the calibration adapter/splash guard to connect the regulator to the calibration cup.
6. Turn the regulator's on/off knob counterclockwise to open it. Gas will begin to flow.
7. Allow the gas to flow for the length of time determined in "Determining Response Time" on page 19.
8. Verify a voltmeter reading of 434 mV (± 2 mV).
9. If necessary, use a small flat-blade screwdriver to adjust the span pot until the voltmeter reading is 434 mV (± 2 mV).
10. Turn the regulator's on/off knob clockwise to close it.

11. Disconnect the calibration adapter/splash guard's flexible tubing from the regulator.

NOTE: Do not disconnect the flexible tubing from the calibration adapter/splash guard.

12. Unscrew the regulator from the zero air calibration cylinder.
13. Store the components of the calibration kit in a safe and convenient place.
14. Remove the voltmeter leads from the test points.
15. Secure the amplifier junction box cover to the junction box.

Maintenance

This section describes maintenance procedures. It includes preventive maintenance, troubleshooting, and component replacement procedures.

Preventive Maintenance

This section describes a preventive maintenance schedule to ensure the optimum performance of the oxygen transmitter. It includes daily and quarterly procedures.

Daily

Verify a display reading of 20.9% volume oxygen at the controller. Investigate significant changes in the display reading.

Quarterly

Calibrate the oxygen transmitter as described in "Calibration" on page 20. See the calibration frequency discussion in "Calibration Frequency" on page 19 to determine if a quarterly calibration schedule fits your needs.

Troubleshooting

The troubleshooting guide describes symptoms, probable causes, and recommended action for problems you may encounter with the oxygen transmitter.

NOTE: This troubleshooting guide describes transmitter problems only. See the controller operator's manual for problems you may encounter with the controller.

Table 2: Troubleshooting the Oxygen Transmitter

Condition	Symptom(s)	Probable Causes	Recommended Action
Fail Condition	<ul style="list-style-type: none"> • Controller indicates a fail condition. 	<ul style="list-style-type: none"> • The detector-to-amplifier or amplifier-to-controller wiring is disconnected or misconnected. • The transmitter’s fresh air reading is low enough to cause a fail condition. • The transmitter is malfunctioning. 	<ol style="list-style-type: none"> 1. Verify that the detector-to-amplifier and amplifier-to-controller wiring is correct and secure. 2. Perform a fresh air adjustment. A full calibration is recommended. 3. If the fail condition continues, contact RKI for further instruction.
Slow or No Response/ Difficult or Unable to Calibrate	<ul style="list-style-type: none"> • Unable to accurately set the fresh air or zero reading during calibration. • Transmitter requires frequent calibration. <p><i>NOTE: Under “normal” circumstances, the transmitter requires calibration once every 3 months.</i></p> <p><i>Some applications may require a more frequent calibration schedule.</i></p>	<ul style="list-style-type: none"> • The calibration cylinder is low, out-dated, or defective. • The calibration gas is not an appropriate concentration. • The transmitter is malfunctioning. • The flexible tubing to the calibration adapter/splash guard has become kinked, blocked, or disconnected. 	<ol style="list-style-type: none"> 1. Verify that the calibration cylinder contains an adequate supply of a fresh test sample. 2. Check the sensor face for dirt. Clean if necessary. 3. Verify that the calibration gas concentration is appropriate for the transmitter. Zero emission air (20.9% oxygen) is normally used for a fresh air adjustment if the environment is suspect and 100% nitrogen (0% oxygen) is normally used for a zero adjustment. 4. Verify that the flexible tubing to the calibration adapter/splash guard is clear and connected to the calibration adapter/splash guard. 5. If the calibration/response difficulties continue, contact RKI for further instruction.

Replacing Components of the Oxygen Transmitter

This section includes a procedure to replace the oxygen detector assembly and the amplifier. In most cases, it is not necessary to replace the entire detector assembly.

Replacing the Oxygen Detector

1. Turn off the controller.
2. Turn off or unplug power to the controller.
3. Unscrew the calibration adapter/splash guard from the detector.

4. Remove the detector junction box's cover from the junction box.
5. Remove the detector terminal strip from its socket.
6. Disconnect the detector leads from the detector terminal strip. Note the position of the color-coded leads as you remove them.
7. Unscrew the detector from the detector junction box conduit hub.
8. Guide the detector leads of the replacement detector through the bottom conduit hub of the detector junction box, then screw the mounting threads of the detector into the conduit hub. If necessary for environmental conditions, apply thread sealant or Teflon tape to the hub and/or detector threads to seal them.
9. Connect the detector leads to the terminal block the same way the old detector was wired (see Figure 5).
10. Screw the calibration adapter/splash guard onto the new detector.
11. Reinstall the detector terminal strip into its socket.
12. Reinstall the detector junction box cover.
13. Turn on or plug in power to the controller.
14. Turn on the controller and place it into normal operation.

CAUTION: *Allow the replacement detector to warm up for 5 minutes before you continue with the next step.*

15. Calibrate the replacement detector as described in "Calibration" on page 20.

Replacing the Amplifier

NOTE: The amplifier is not housed in the same junction box as the oxygen detector. The amplifier junction box should be somewhere accessible.

1. Turn off the controller.
2. Turn off or unplug power to the controller.
3. Remove the amplifier junction box's cover.
4. Unplug the detector terminal strip and controller terminal strip from their sockets. You may leave the wires connected to the terminal strips.
5. Unscrew and remove the screw with the flat and lock washers that secures the amplifier to the junction box. The screw is at the bottom right of the amplifier.
6. Remove the old amplifier.
7. Place the new amplifier in the same position as the old amplifier. A foam gasket that orients the amplifier and keeps it from rotating is installed on the bottom of the amplifier. Make sure the amplifier is seated flat in the junction box.

8. Install the new amplifier into the junction box with the screw, lock washer, and flat washer you removed in Step 5.
9. Install the detector and controller terminals strips into their sockets on the new amplifier as shown in Figure 5 and Figure 6. If controller leads or detector leads were removed during this procedure, refer to Figure 5 and Figure 6 for the detector and amplifier connections.

NOTE: When a transmitter is first powered up with a new amplifier, the initial output may be either high or low depending on the setting of the span pot. Be sure to make arrangements so that this does not cause unwanted alarms.

10. Reinstall the amplifier junction box cover.
11. Turn on or plug in power to the controller.
12. Turn on the controller and place it into normal operation.
13. Allow the transmitter to warm up for 5 minutes.
14. Calibrate the oxygen transmitter as described in the “Calibration” on page 20.

Calibration Frequency

Although there is no particular calibration frequency that is correct for all applications, a calibration frequency of every 3 months is adequate for most oxygen transmitter applications. Unless experience in a particular application dictates otherwise, RKI Instruments, Inc. recommends a calibration frequency of every 3 months for the oxygen transmitter.

If an application is not very demanding, for example detection in a clean, temperature controlled environment, and calibration adjustments are minimal at calibration, then a calibration frequency of every 6 months is adequate.

If the application is very demanding, for example if the environment is not well controlled, then more frequent calibration than every 3 months may be necessary.

Determining Response Time

Since the detector junction box is installed remotely from the amplifier, the response time of the detector will depend on the length of flexible tubing that is attached to the calibration adapter/splash guard. To determine the response time based on the length of tubing connected:

1. Place the controller into its calibration mode or disable external alarms.
2. Note the current gas reading displayed at the controller.
3. Screw the regulator into the calibration cylinder. Do not use a zero air cylinder for this operation.
4. Use the flexible tubing coming from the calibration adapter/splash guard to connect the regulator to the calibration cup.

5. Turn the regulator's on/off knob counterclockwise to open the regulator. Gas will begin to flow. Take note of the time or start a stopwatch.
6. When you first start to notice an increase in the gas reading, note how much time passed between starting the gas flow and noticing a reading response.
7. Turn the regulator's on/off knob clockwise to close the regulator.
8. Unscrew the regulator from the calibration cylinder.
9. Disconnect the calibration adapter/splash guard's flexible tubing from the regulator.

NOTE: Do not disconnect the flexible tubing from the calibration adapter/splash guard.

10. Add 1 minute to the length of time determined in Step 6. This is the response time for the detector. When performing a fresh air adjustment or zero adjustment, gas must be applied for this length of time.

Calibration

This section describes how to calibrate the oxygen transmitter. It includes procedures to prepare for calibration, set the fresh air reading, set the zero reading, and return to normal operation. It describes the test using a calibration kit that includes calibration gas and a fixed flow regulator with an on/off knob. RKI Instruments, Inc. recommends using a 0.5 LPM (liters per minute) fixed flow regulator.

Preparing for Calibration

NOTE: Calibrating the oxygen transmitter may cause alarms. Be sure to put the controller into its calibration program or disable external alarms before calibration.

1. Unscrew and remove the amplifier junction box's cover.
2. Set a voltmeter to measure in the millivolt (mV) range.
3. Plug the voltmeter leads into the test points on the amplifier. Plug the positive lead into the red (+) test point; plug the negative lead into the black (-) test point.
4. Use the following formula to determine the correct test points output for the calibrating sample.

$$\text{Output (mV)} = (\text{calibrating sample/fullscale}) \times 400 + 100$$

The concentration of oxygen in the atmosphere is 20.9%, so when setting the fresh air reading, you will set the test points output to 434 mV (± 2 mV).

$$434(\text{mV}) = (20.9/25) \times 400 + 100$$

5. Place the controller into its calibration mode or disable external alarms.

NOTE: Calibrating the oxygen transmitter may cause alarms. Be sure to put the controller into its calibration mode or disable external alarms before continuing.

Setting the Fresh Air Reading

NOTE: If you can verify that the oxygen transmitter is in a fresh air environment, you do not need to apply zero air to the detector before adjusting the fresh air reading.

1. Screw the regulator into the zero air calibration cylinder.
2. Use the flexible tubing coming from the calibration adapter/splash guard to connect the regulator to the calibration cup.
3. Turn the regulator knob counterclockwise to open the regulator.
4. Allow the gas to flow for the length of time determined in “Determining Response Time” on page 19.
5. Verify a reading of 434 mV ($\pm 2\text{mV}$). If necessary, use the span pot on the amplifier to adjust the reading to 434 mV ($\pm 2\text{mV}$).
6. Unscrew the regulator from the zero air calibration cylinder.
7. Leave the calibration adapter/splash guard’s flexible tubing connected to the regulator.

Setting the Zero Reading

1. Screw the regulator into the calibration cylinder. Verify that the calibration gas is representative of the transmitter’s target gas.
2. Turn the regulator knob counterclockwise to open the regulator.
3. Allow the calibration gas to flow for the length of time determined in “Determining Response Time” on page 19.
4. Verify a reading of 100 mV ($\pm 2\text{mV}$). If necessary, use the zero pot on the amplifier to adjust the reading to match the correct response reading.
5. Turn the regulator knob clockwise to close the regulator.
6. Unscrew the regulator from the calibration cylinder.

Returning to Normal Operation

1. Remove the voltmeter leads from the amplifier test points.
2. Disconnect the calibration adapter/splash guard's flexible tubing from the regulator.

NOTE: Do not disconnect the flexible tubing from the calibration adapter/splash guard.

3. Secure the amplifier junction box's cover to the junction box.
4. When the display reading rises above the decreasing alarm's setpoint, return the controller to normal operation.
5. Verify that the controller display reading decreases and stabilizes at 20.9% volume.
6. Store the components of the calibration kit in a safe and convenient place.

Parts List

Table 5 lists replacement parts and accessories for the oxygen transmitter.

Table 3: Parts List

Part Number	Description
06-1248RK	Sample tubing (order by the foot)
18-0400RK-01	Junction box with rubber spacers
57-1064RK-10	S2 series oxygen amplifier with orienting gasket
65-2510RK-TFX	Oxygen replacement detector assembly (not including detector junction box), CSA classified
71-0669	65-2320RK-TFX-4 Oxygen Transmitter Operator's Manual (this document)
81-0076RK-01	Zero air calibration cylinder, 34 liter steel
81-0078RK-01	100% nitrogen calibration cylinder, 34 liter steel
81-0078RK-03	100% nitrogen calibration cylinder, 103 liter
81-1050RK	Regulator with gauge and knob, 0.5 LPM, for 17 liter and 34 liter steel calibration cylinders (cylinders with external threads)
81-1051RK	Regulator with gauge and knob, 0.5 LPM, for 34 liter aluminum, 58 liter, and 103 liter calibration cylinders (cylinders with internal threads)
81-1116RK	Calibration adapter/splash guard