

TECHNICAL DETAILS

# Complete Precast



**APPLICABLE FOR:**

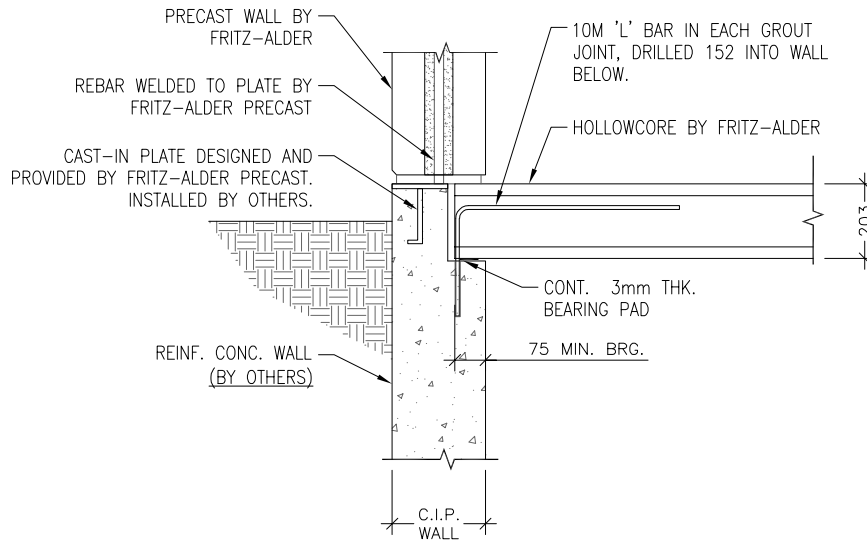
RESIDENTIAL  
COMMERCIAL  
CIVIL  
INDUSTRIAL  
INSTITUTIONAL  
AGRICULTURAL



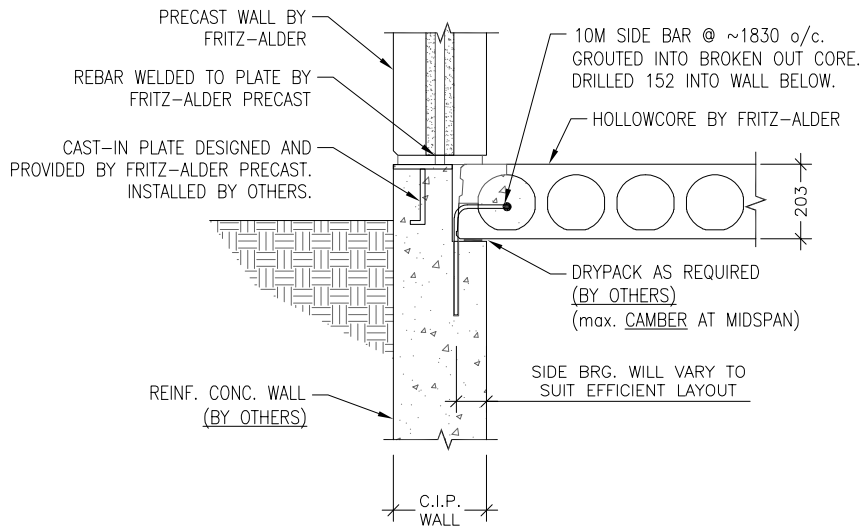
**FRITZ-ALDER**  
PRECAST

# HOLLOWCORE - Connections to Precast Walls

1  
CP



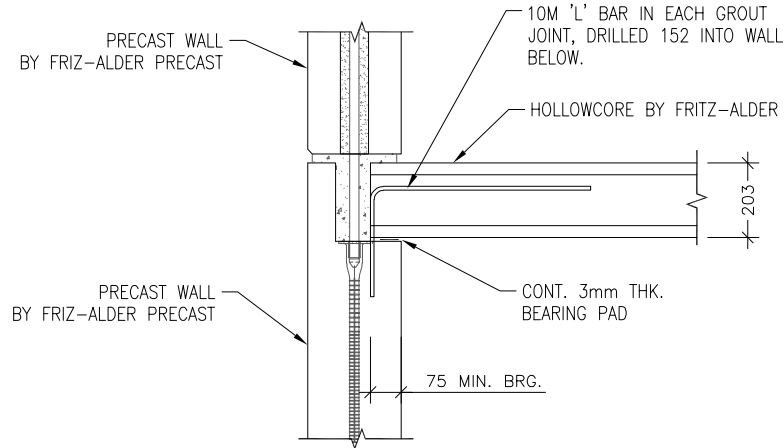
2  
CP



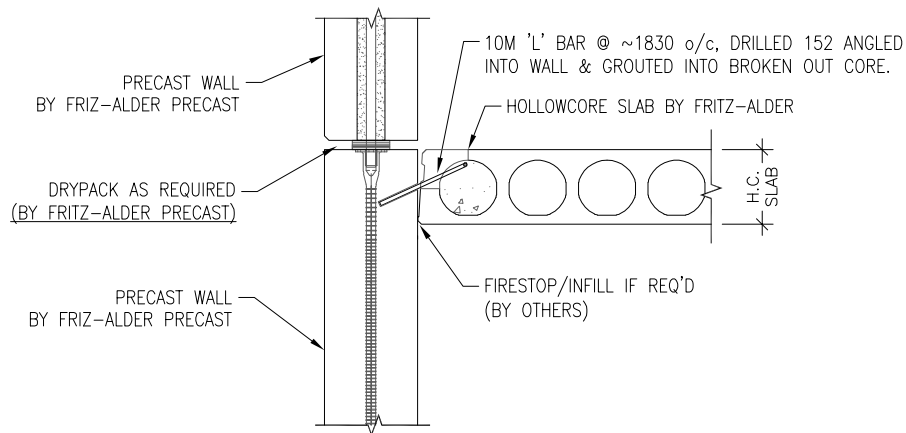
These details are prepared by Fritz-Alder Precast based on industry best practices and standards; however all details shall be verified and approved by E.O.R. prior to use in projects as details may differ for specific projects. Any post applied connection/coring/modifications shall be verified and approved by the qualified professional engineer. For any post applied connection/modification, the actual location of strand/steel reinforcement must be found via proper testing procedures on site. In any circumstances, strand/steel rebars shall not be cut/affected. If any deviation from the detail is required, please call Fritz-Alder Precast for assistance.

# HOLLOWCORE - Connections to Precast Walls

4  
CP



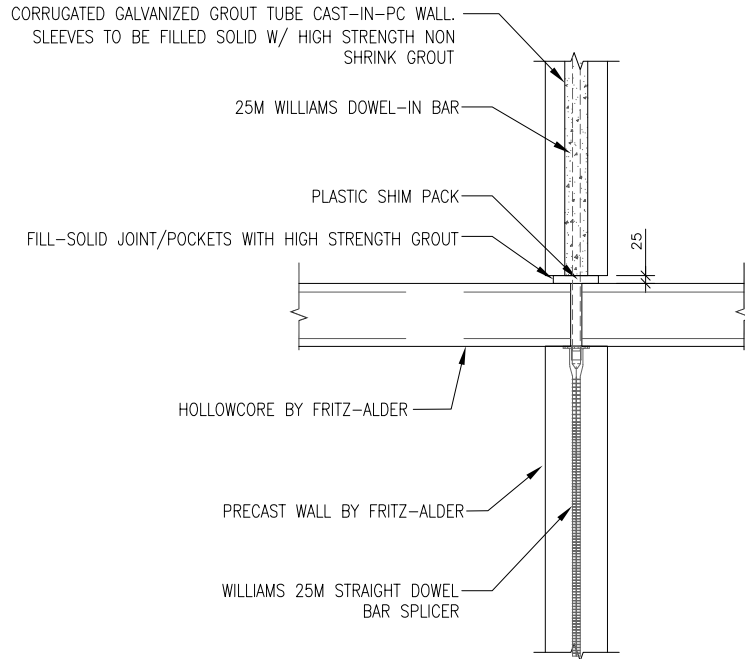
5  
CP



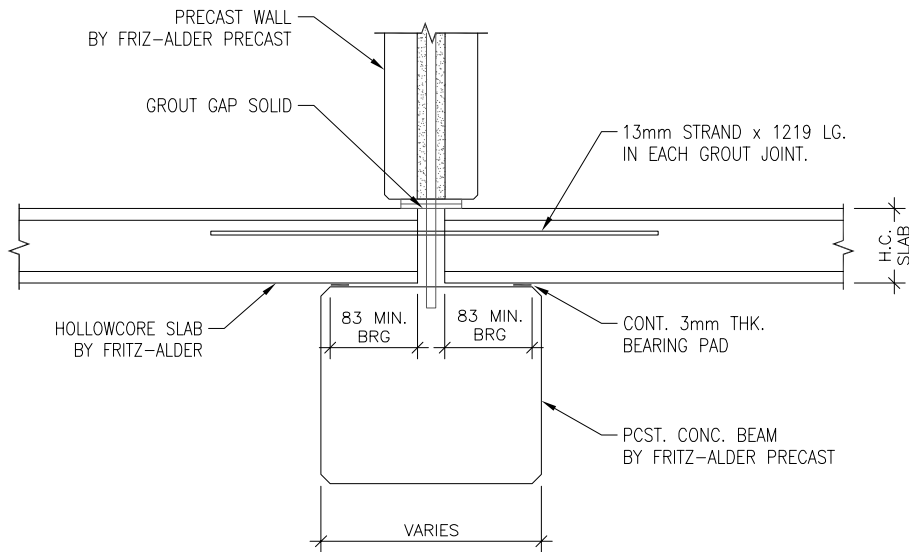
These details are prepared by Fritz-Alder Precast based on industry best practices and standards; however all details shall be verified and approved by E.O.R. prior to use in projects as details may differ for specific projects. Any post applied connection/coring/modifications shall be verified and approved by the qualified professional engineer. For any post applied connection/modification, the actual location of strand/steel reinforcement must be found via proper testing procedures on site. In any circumstances, strand/steel rebars shall not be cut/affected. If any deviation from the detail is required, please call Fritz-Alder Precast for assistance.

# HOLLOWCORE - Connections to Precast Walls

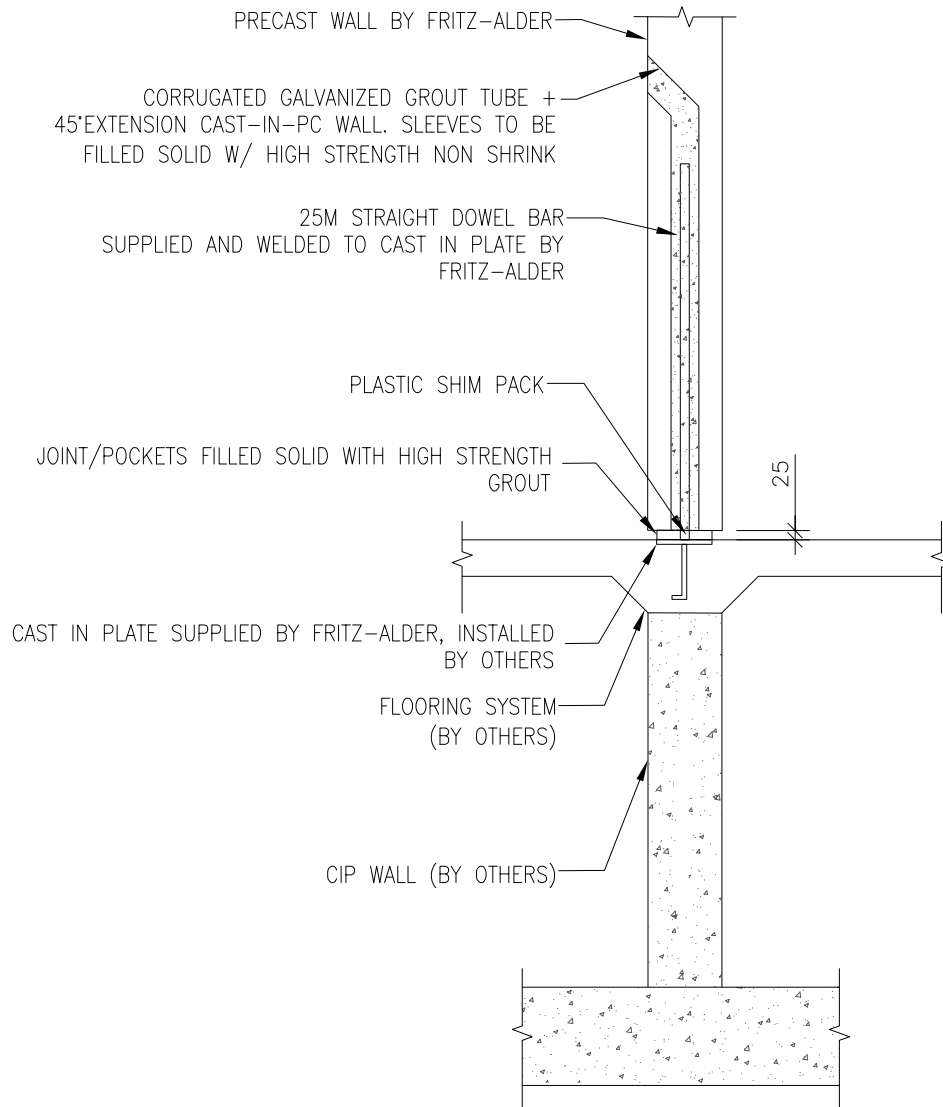
6  
CP



7  
CP



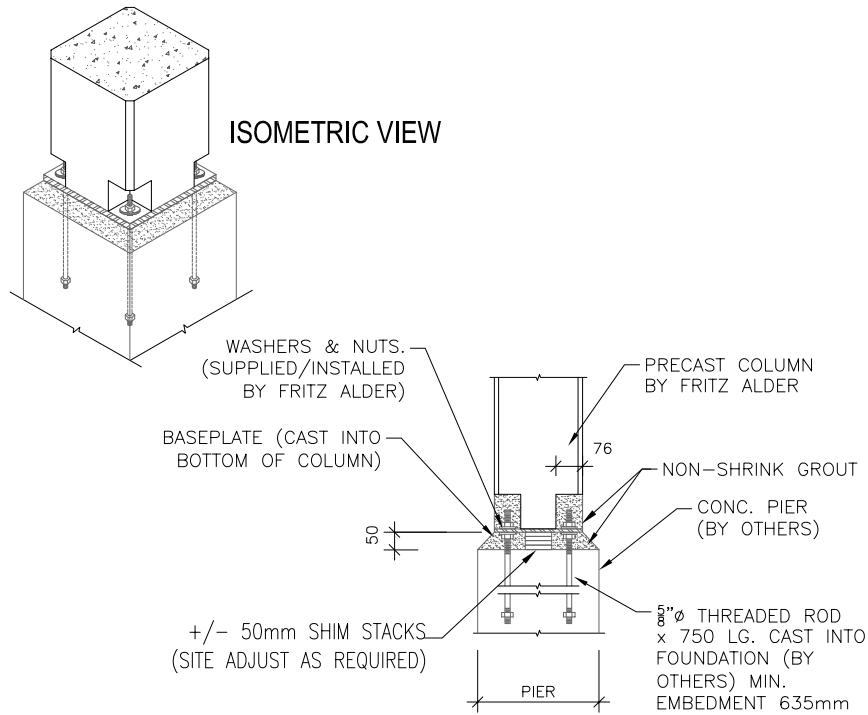
These details are prepared by Fritz-Alder Precast based on industry best practices and standards; however all details shall be verified and approved by E.O.R. prior to use in projects as details may differ for specific projects. Any post applied connection/coring/modifications shall be verified and approved by the qualified professional engineer. For any post applied connection/modification, the actual location of strand/steel reinforcement must be found via proper testing procedures on site. In any circumstances, strand/steel rebars shall not be cut/affected. If any deviation from the detail is required, please call Fritz-Alder Precast for assistance.



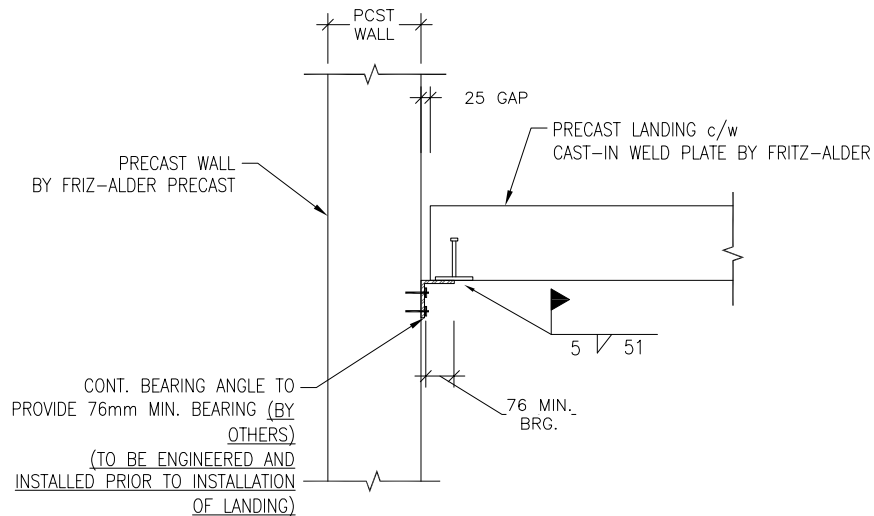
These details are prepared by Fritz-Alder Precast based on industry best practices and standards; however all details shall be verified and approved by E.O.R. prior to use in projects as details may differ for specific projects. Any post applied connection/coring/modifications shall be verified and approved by the qualified professional engineer. For any post applied connection/modification, the actual location of strand/steel reinforcement must be found via proper testing procedures on site. In any circumstances, strand/steel rebars shall not be cut/affected. If any deviation from the detail is required, please call Fritz-Alder Precast for assistance.

# MISCELLANEOUS: Total Precast Connections

8  
CP



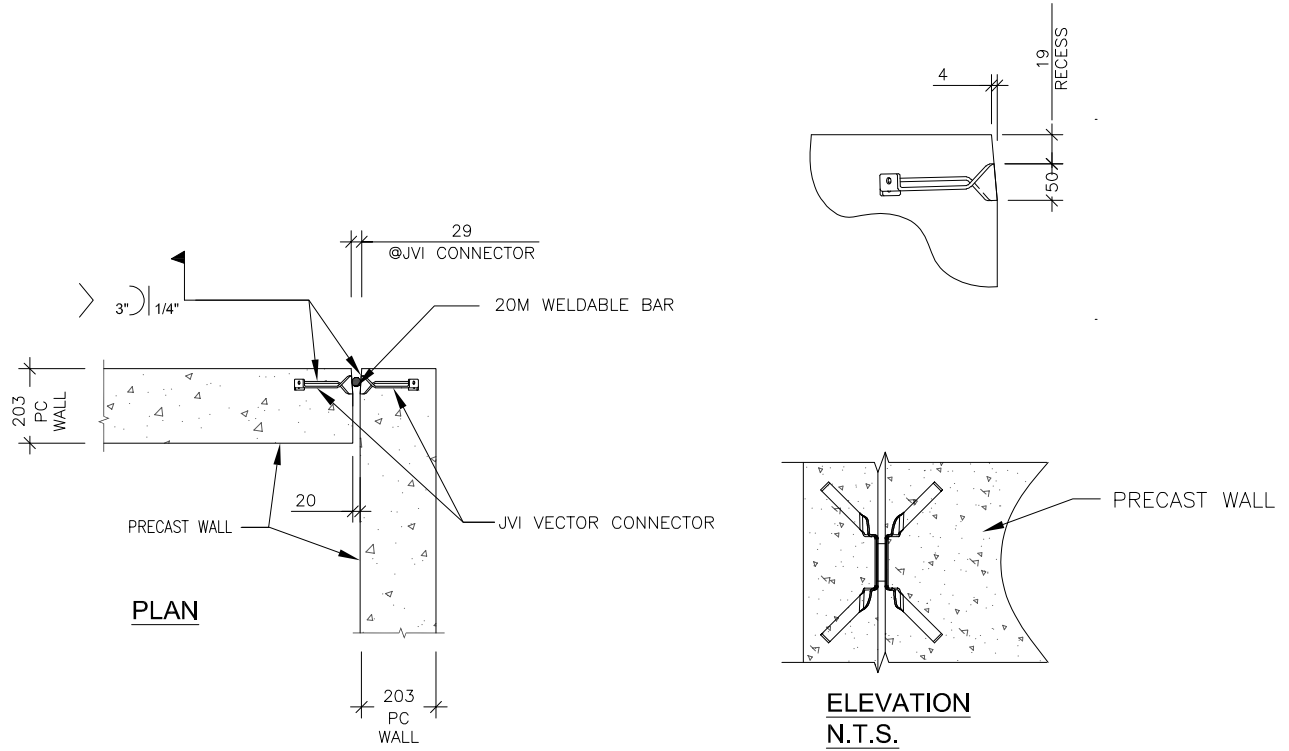
9  
CP



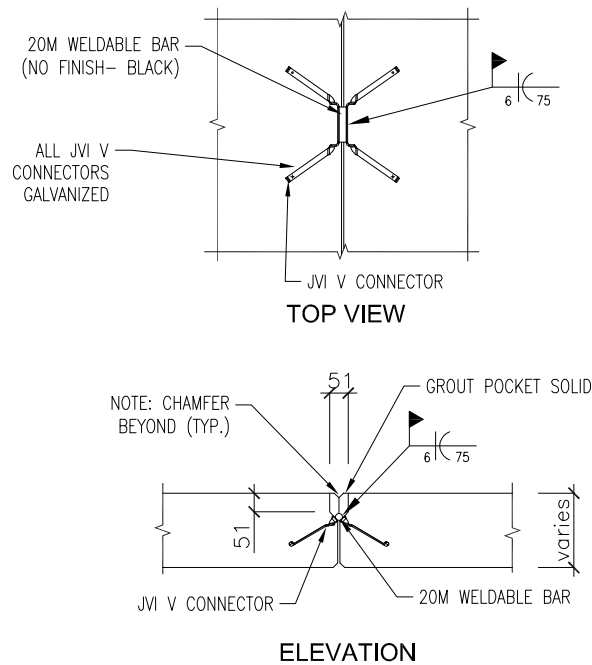
These details are prepared by Fritz-Alder Precast based on industry best practices and standards; however all details shall be verified and approved by E.O.R. prior to use in projects as details may differ for specific projects. Any post applied connection/coring/modifications shall be verified and approved by the qualified professional engineer. For any post applied connection/modification, the actual location of strand/steel reinforcement must be found via proper testing procedures on site. In any circumstances, strand/steel rebars shall not be cut/affected. If any deviation from the detail is required, please call Fritz-Alder Precast for assistance.

# MISCELLANEOUS: Total Precast Connections

10  
CP



11  
CP



These details are prepared by Fritz-Alder Precast based on industry best practices and standards; however all details shall be verified and approved by E.O.R. prior to use in projects as details may differ for specific projects. Any post applied connection/coring/modifications shall be verified and approved by the qualified professional engineer. For any post applied connection/modification, the actual location of strand/steel reinforcement must be found via proper testing procedures on site. In any circumstances, strand/steel rebars shall not be cut/affected. If any deviation from the detail is required, please call Fritz-Alder Precast for assistance.