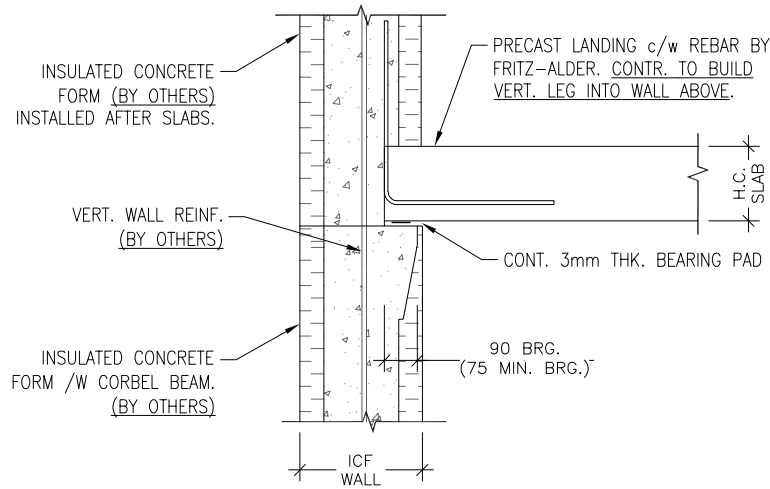


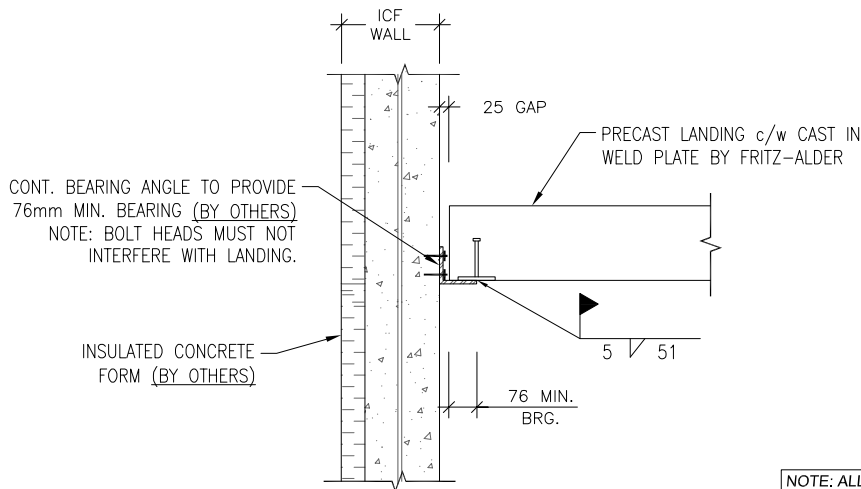
MISCELLANEOUS: ICF & Poured Concrete Wall Connections

7
PIP



NOTE: ALL BEARING SUPPORT TO BE DESIGNED AND PROVIDED BY OTHERS PRIOR TO INSTALLATION OF HOLLOW CORE ON SITE

8
PIP

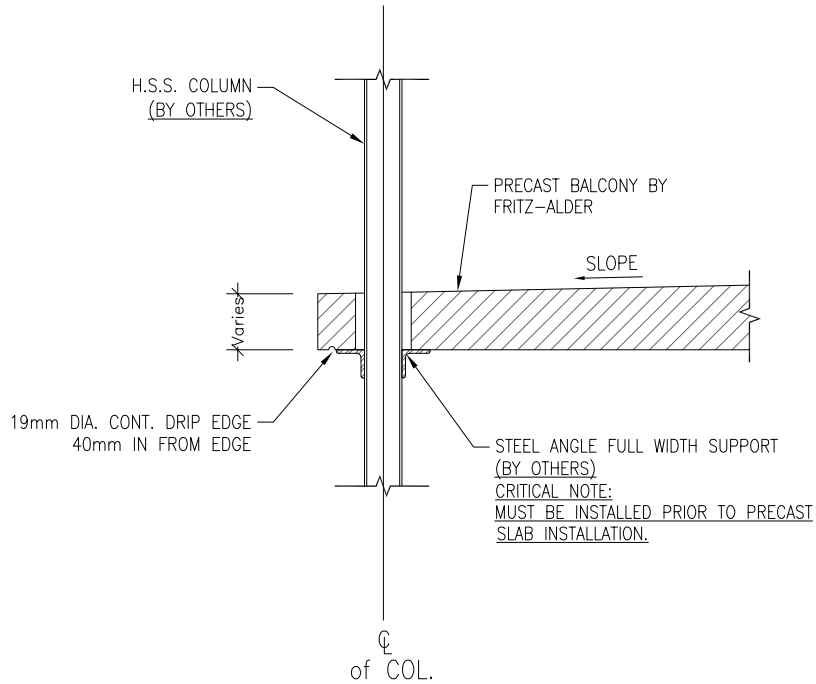


NOTE: ALL BEARING SUPPORT TO BE DESIGNED AND PROVIDED BY OTHERS PRIOR TO INSTALLATION OF HOLLOW CORE ON SITE

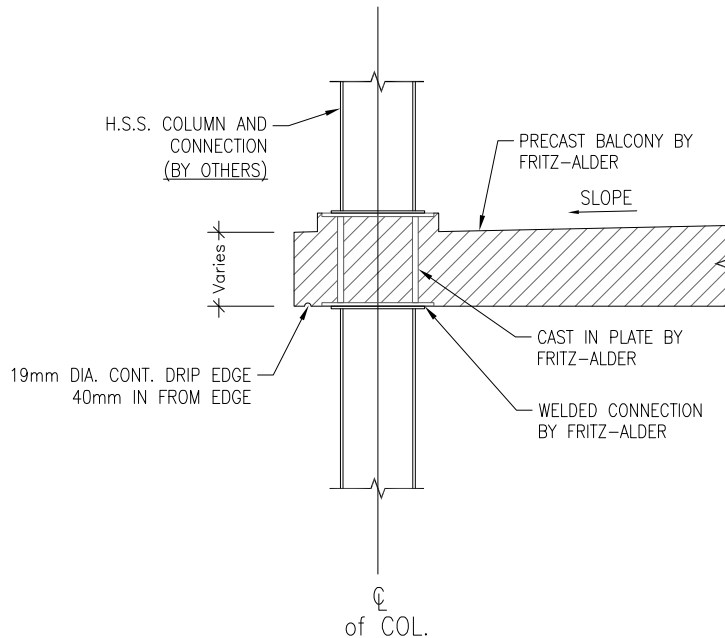
These details are prepared by Fritz-Alder Precast based on industry best practices and standards; however all details shall be verified and approved by E.O.R. prior to use in projects as details may differ for specific projects. Any post applied connection/coring/modifications shall be verified and approved by the qualified professional engineer. For any post applied connection/modification, the actual location of strand/steel reinforcement must be found via proper testing procedures on site. In any circumstances, strand/steel rebars shall not be cut/affected. If any deviation from the detail is required, please call Fritz-Alder Precast for assistance.

MISCELLANEOUS: Column and Balcony Connections

7
MSC



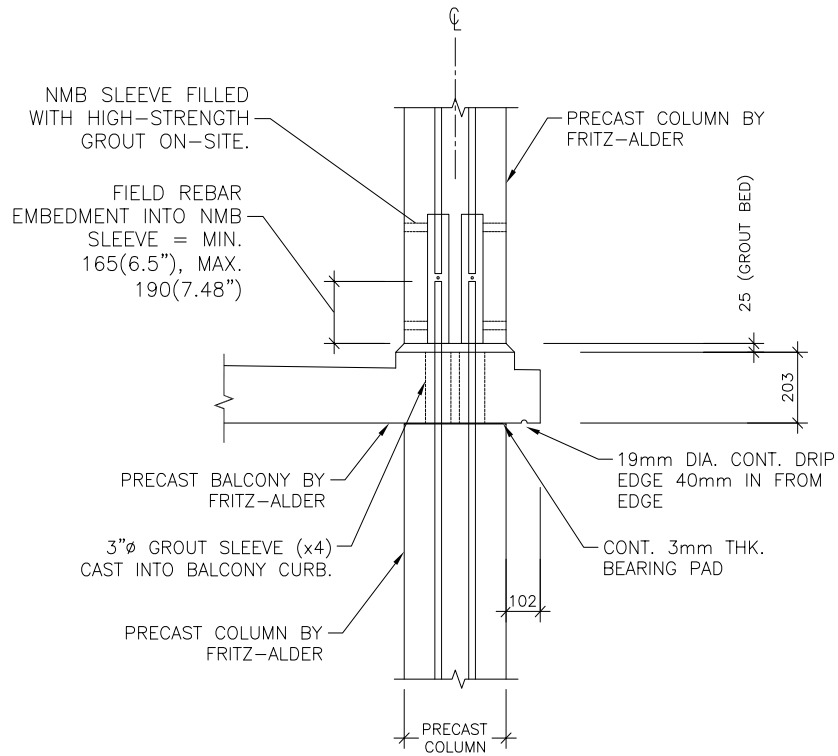
8
MSC



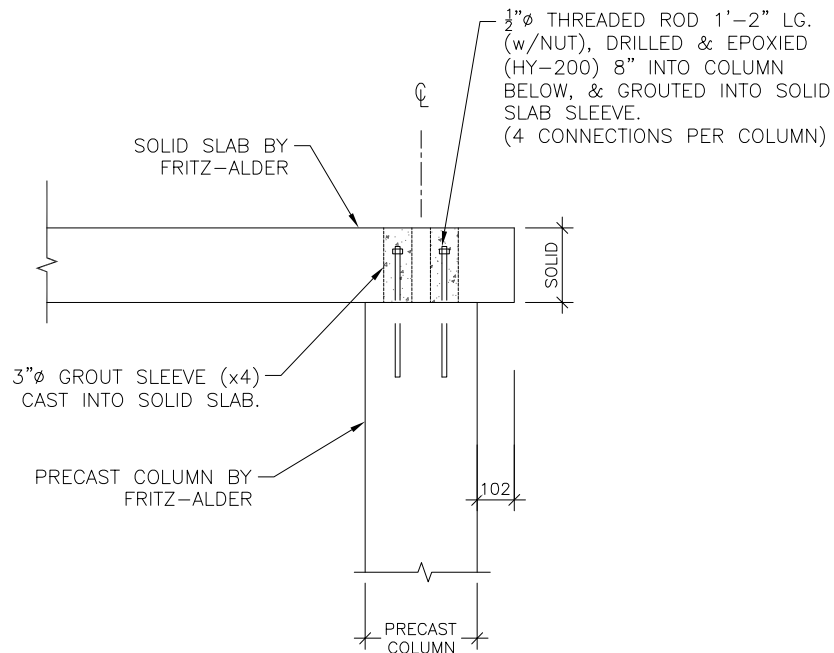
These details are prepared by Fritz-Alder Precast based on industry best practices and standards; however all details shall be verified and approved by E.O.R. prior to use in projects as details may differ for specific projects. Any post applied connection/coring/modifications shall be verified and approved by the qualified professional engineer. For any post applied connection/modification, the actual location of strand/steel reinforcement must be found via proper testing procedures on site. In any circumstances, strand/steel rebars shall not be cut/affected. If any deviation from the detail is required, please call Fritz-Alder Precast for assistance.

MISCELLANEOUS: Column and Balcony Connections

9
MSC



10
MSC



These details are prepared by Fritz-Alder Precast based on industry best practices and standards; however all details shall be verified and approved by E.O.R. prior to use in projects as details may differ for specific projects. Any post applied connection/coring/modifications shall be verified and approved by the qualified professional engineer. For any post applied connection/modification, the actual location of strand/steel reinforcement must be found via proper testing procedures on site. In any circumstances, strand/steel rebars shall not be cut/affected. If any deviation from the detail is required, please call Fritz-Alder Precast for assistance.